

HYPHONE Machine Industry Inc.

www.hyphone.com.tw



TAIWAN
EXCELLENCE

Air Palm Sander

多功能氣動拋光機
(HY-1387)



Adjustable balancer to match with various kinds of pads
可調式配重塊
對應不同研磨盤之重量



Speed regulator at air exhaust to offer more accurate control
以排氣調整研磨盤之轉速高低



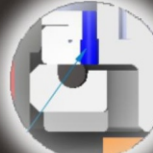
Detachable switch
可拆卸式板機



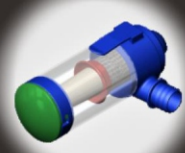
No wrench design for pad mounting / removing
安全式免板手拆卸研磨盤



Inlet air bypass design to boost vacuum effectiveness
以進氣(壓縮氣體)分流提高吸塵效率



Bearing auto cooling design (increase tool life)
培林自動冷卻設計(增加工具壽命)



Dust collection container (option)
外接離心式集塵罐(選配)

Orbit (in.)	PAD		Vacuum style	Model	Length		Weight		Orbit (in.)	Model	Length		Weight	
	in.	m/m			m/m	in.	kgs	lbs			m/m	in.	kgs	lbs
3/16"	6"	150	Non-vac	HY-1387AN6	169	6.7	0.98	2.1	3/32"	HY-1387BN6	184	7.2	0.98	2.1
			central-vac	HY-1387AC6	230	9	1	2.2		HY-1387BC6	229	9	1	2.2
			self-cav	HY-1387AS6	241	9.5	1.24	2.7		HY-1387BS6	240	9.5	1.24	2.7
	5"	125	Non-vac	HY-1387AN5	171	6.7	0.95	2		HY-1387BN5	170	6.7	0.95	2
			central-vac	HY-1387AC5	218	8.6	0.97	2.1		HY-1387BC5	217	8.6	0.97	2.1
			self-cav	HY-1387AS5	229	9	1.2	2.6		HY-1387BS5	228	9	1.2	2.6
Free Speed RPM				Average Air Consumption (25%) SCFM				Sound dBA (pressure/Power)				Air Pressure		Air Inlet
12,000				4.75				78/83				90 6.3		

Ask your buying agent in Taiwan for HYPHONE tools

Features

(特點介紹)



HYPHONE

PNEUMATIC TOOLS

www.hyphone.com.tw

No wrench design for pad mounting / removing
安全式免板手拆卸研模盤

Speed regulator at air exhaust
to offer more accurate control
以排氣調整研磨盤之轉速高低

Detachable switch
可拆卸式板機

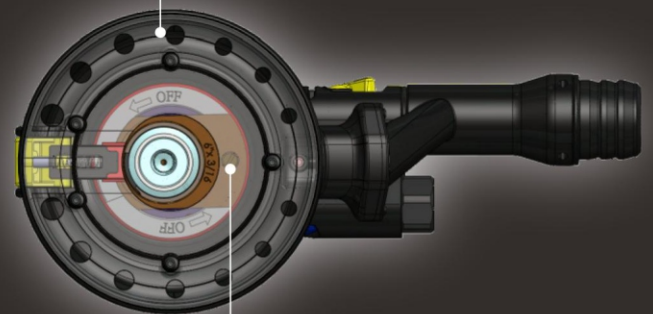
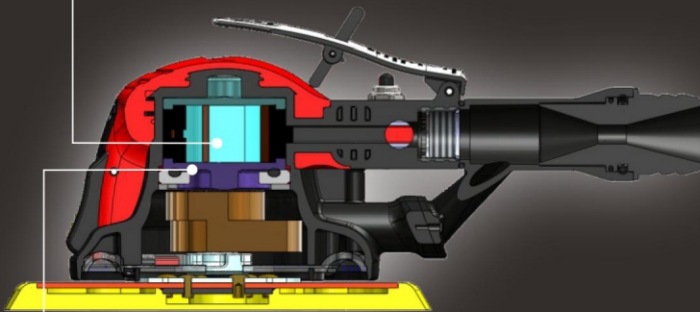


Housing and skirt one pcs design (to create even clearance with discs for max. suction)
本體與吸塵罩一體設計(造成吸塵罩與拋光盤之間均勻間隙, 創造最大的真空吸塵量)

Vacuum turbo switch
真空吸塵力加強鈕

Oil Free design
免加油設計

Special dust segregation device
(prevent dust getting into housing)
特殊防塵裝置(防止灰塵進入本體)



Bearing auto cooling design
(increase tool life)
培林自動冷卻設計
(增加工具壽命)

Adjustable balancer
to match with various pads
可調式配重塊
對應不同研磨盤之重量

Click to watch video demo

1. Dust Collector Feature

2. Dust Protector Feature

**3. No wrench design for pad mounting
& removing**

4. Safety trigger

5. Vacuum Power comparison test